

## Frese Stem Heater

### Application

Frese Stem Heater is used on actuators type 01, 02, 03, 04, 05, 06 and 07 for Frese OPTIMA Compact DN40-DN200.

The stem heater prevents ice building on the stem of the actuator when ambient or media subzero temperatures occur in the system.

### Benefits

- Prevention of ice building around the stem of the actuator.
- Quick and easy mounting.
- Applicable for actuators used on OPTIMA Compact DN40-DN200.

### Features

- Heater to prevent ice building on the stem of the actuator.
- Mounting bracket fitted to the stem brace of the actuator by means of nuts.
- Installation with the bracket below the heater for stem freezing protection.

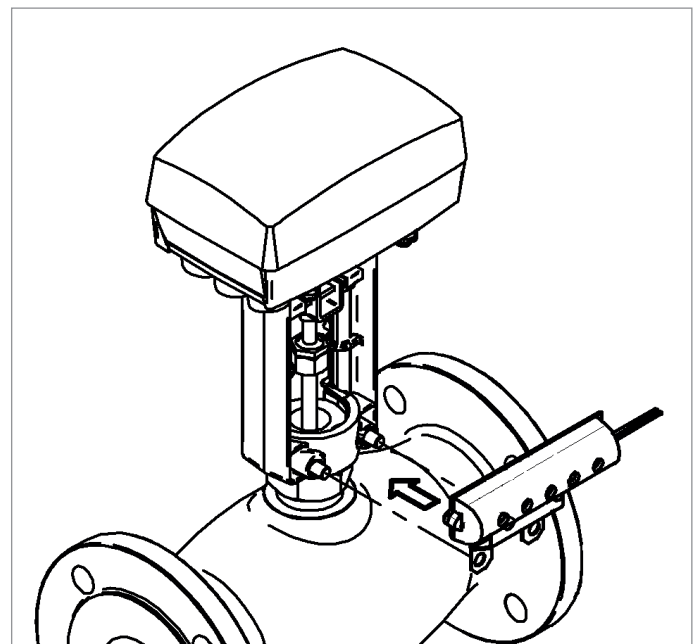
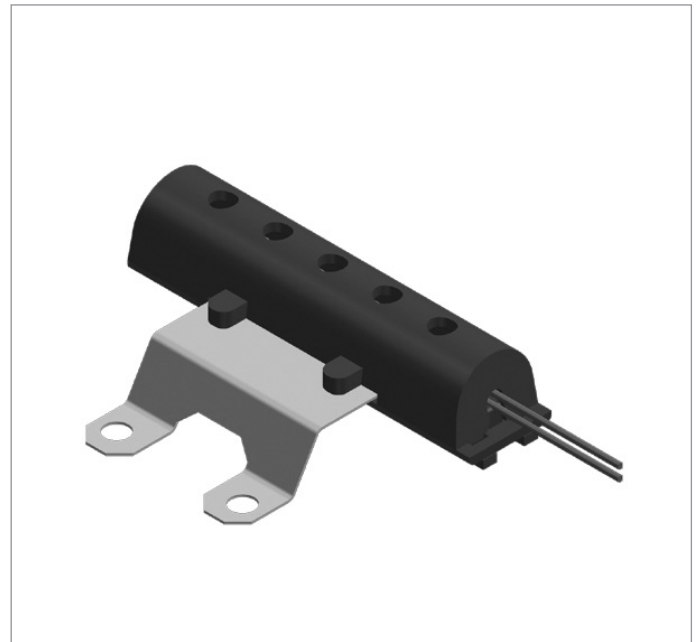
### Mounting

- Remove the stem brace nuts.
- Position the heater over the brace bar.
- Re-mount the brace bar nuts tightening the stem heater to the actuator and securing on to the valve.

### Technical data

**Supply voltage:** 24 VAC

**Power consumption:** 50 W



### Product programme

Frese no.	Type	Suitable for actuators
58-8951	24 VAC, 50 W	Type-01 to Type-07