

Frese PV Compact DN15-DN50 - adjustable differential pressure control valve

Application

Frese PV Compact can be installed in domestic and commercial heating and cooling systems.

The valve is a dynamic, adjustable differential pressure control valve (DPCV) that ensures the differential pressure across the load or circuit is constant.

The valve ensures good modulating control and reduces the risk of noise from thermostatic radiator valves and 2-port control valves.

Benefits

- High Kv value that achieves a low pressure loss and increased energy efficiency
- Positive close off to prevent rising differential pressure when control valves in the controlled circuit are fully closed
- Frese PV Compact eliminates noise problems caused by high differential pressure
- Tamper-proof presetting device on top of the valve, meaning there is no need for valve sealing after presetting
- Differential pressure can be set and adjusted on site
- Presetting is simple using the graphs shown on pages 7-11



Features

- Maximum differential pressure: 450 kPa
- Very compact size for easy installation
- Size DN15-DN50
- Maximum flow up to 11.500 l/h
- Thread ISO 228

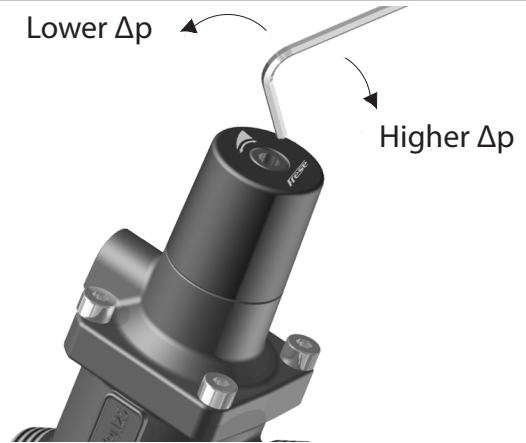
Frese PV Compact DN15-DN50 - adjustable differential pressure control valve

Setting the valve

The valve is easily set by means of a 4mm hexagonal key.

By use of the required flow rate and differential pressure, the pre-setting of the valve can easily be determined via the pre-setting graph.

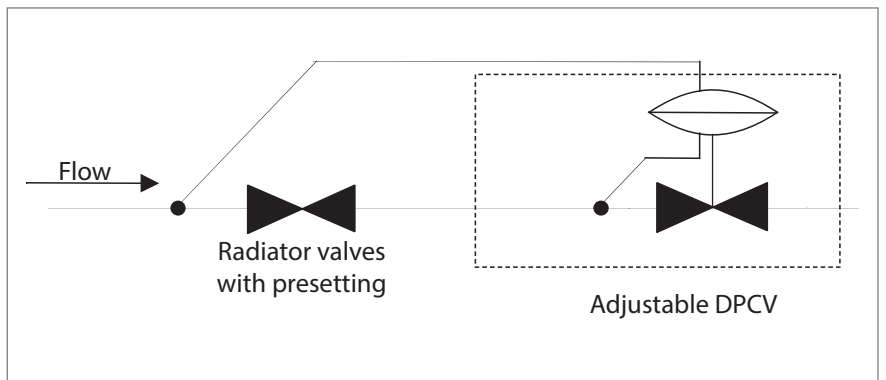
To set the valve to the desired downstream differential pressure, the valve should be set at the minimum position and then adjusted in accordance with the presetting graphs.



Design

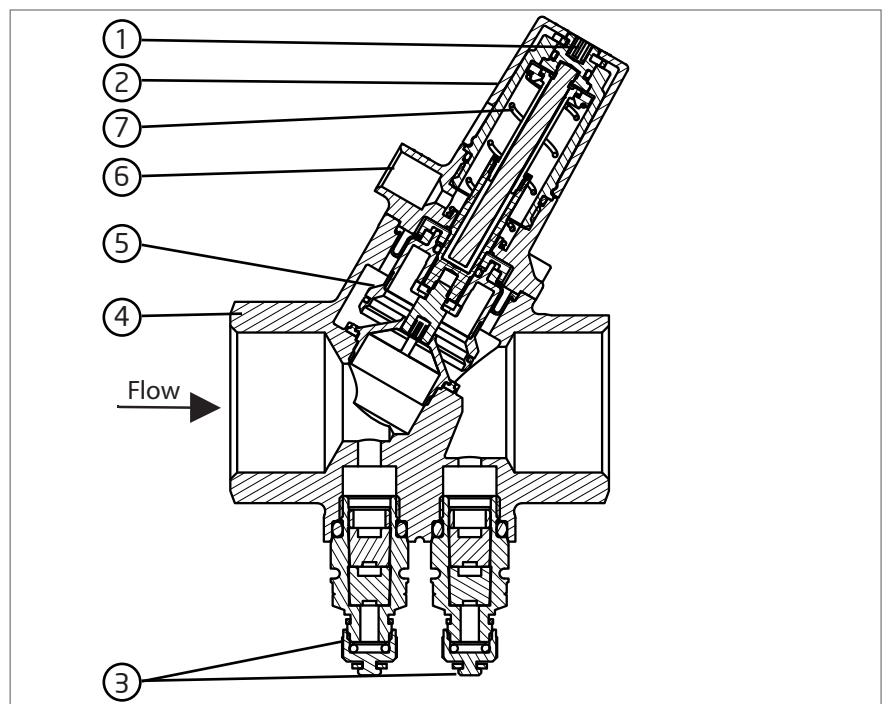
Frese PV Compact consists of a differential pressure regulation unit, an adjustable presetting and a capillary tube for connecting to the inlet pipe line.

Frese PV Compact must be installed in the return line with the capillary tube connected to the inlet line.



Frese PV Compact simplified outline

- ① Adjustment nut
- ② Spring cover
- ③ PT plugs
- ④ Housing
- ⑤ Piston
- ⑥ Capillary tube connection
- ⑦ Spring



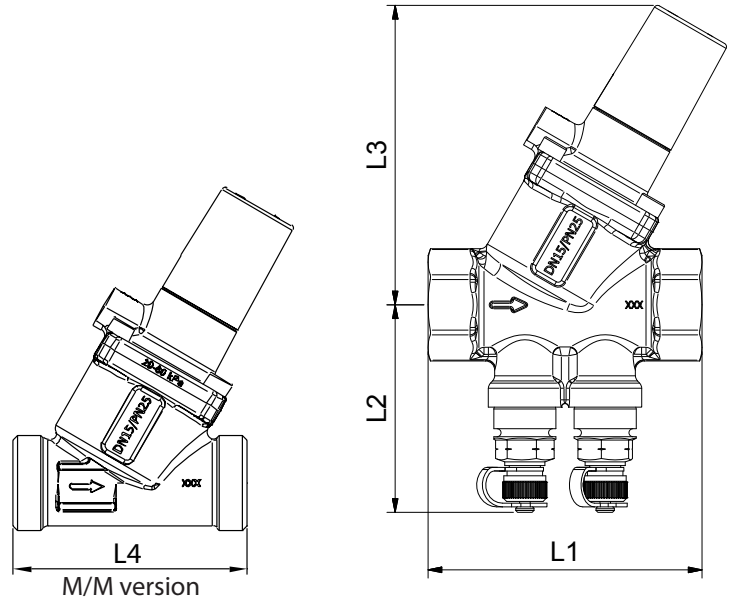
Frese PV Compact cross section drawing

Frese PV Compact DN15-DN50 - adjustable differential pressure control valve

Technical data

Housing DN15-32:	DZR Brass
DN40-50:	Ductile Iron
DP controller:	PPS 40% glass
Spring:	Stainless steel
Diaphragm:	HNBR
O-rings and seat:	EPDM
Pressure class:	PN25
Max. differential pressure:	450 kPa
Temperature range:	-10°C to + 120°C
Capillary tube:	Ø3, L = 1000mm

The pipe system shall be properly ventilated to avoid risk of air pockets. Glycolic mixtures up to 50% are applicable (both ethylene and propylene).
Recommendation: Water treatment to VDI 2035.



Frese PV Compact												
Dimension		DN15		DN20		DN25	DN25L		DN32	DN40	DN50	
Control range	kPa	5 - 30	20 - 60	5 - 30	20 - 60	5 - 30	5 - 30	20 - 80	20 - 80	20 - 80	20 - 80	
	Flow rate	l/s	0.014-0.167	0.028-0.278	0.028-0.278	0.042-0.556	0.167-0.583	0.167-0.694	0.208-1.167	0.278-1.389	0.833-2.222	1.389-3.194
		l/h	50-600	100-1000	100-1000	150-2000	600-2100	600-2500	750-4200	1000-5000	3000-8000	5000-11500
		gpm	0.22-2.65	0.44-4.41	0.44-4.41	0.66-8.82	2.65-9.25	2.65-11.02	3.30-18.52	4.41-22.05	13.21-35.22	22.01-50.63
Kvs	m3/h	2.9		3.5		4.0	8.7		10.1	15.8	16.2	
Dim. mm	L1	75		79		83	100		104	138	138	
	L2	57		57		59	63		68	71	77	
	L2 *	66		66		68	72		77	80	86	
	L3	82		82		85	134		134	156	156	
	L4	65		-		-	-		-	-	-	
Weight	kg	0.71		0.73		0.83	1.57		1.72	3.12	3.55	

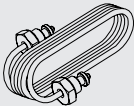

(*) Valves with drain

Frese PV Compact DN15-DN50 - adjustable differential pressure control valve

Product programme

Dimension	DN15		DN20		DN25	DN25L		DN32	DN40	DN50
kPa	5-30	20-60	5-30	20-60	5-30	5-30	20-80	20-80	20-80	20-80
M/M, capillary tube, 1/4" adapter	53-3200	53-3201	-	-	-	-	-	-	-	-
M/M, capillary tube, 1/2" adapter	53-3202	53-3203	-	-	-	-	-	-	-	-
F/F, Drain valve, P/T plug, capillary tube, 1/4" & 1/2" adapter	53-3242	53-3243	53-3244	53-3245	53-3251	53-3246	53-3247	53-3248	53-3249	53-3250
F/F, P/T plugs, capillary tube, 1/4" & 1/2" adapter	53-3204	53-3205	53-3206	53-3207	53-3208	53-3210	53-3211	53-3214	53-3216	53-3218

Accessories

Frese capillary tube ø3mm x 1000 mm		48-0004
Couplings for DN15 M/M incl. gasket. Set with 2 pcs.		43-2330

Insulation - for heating applications only

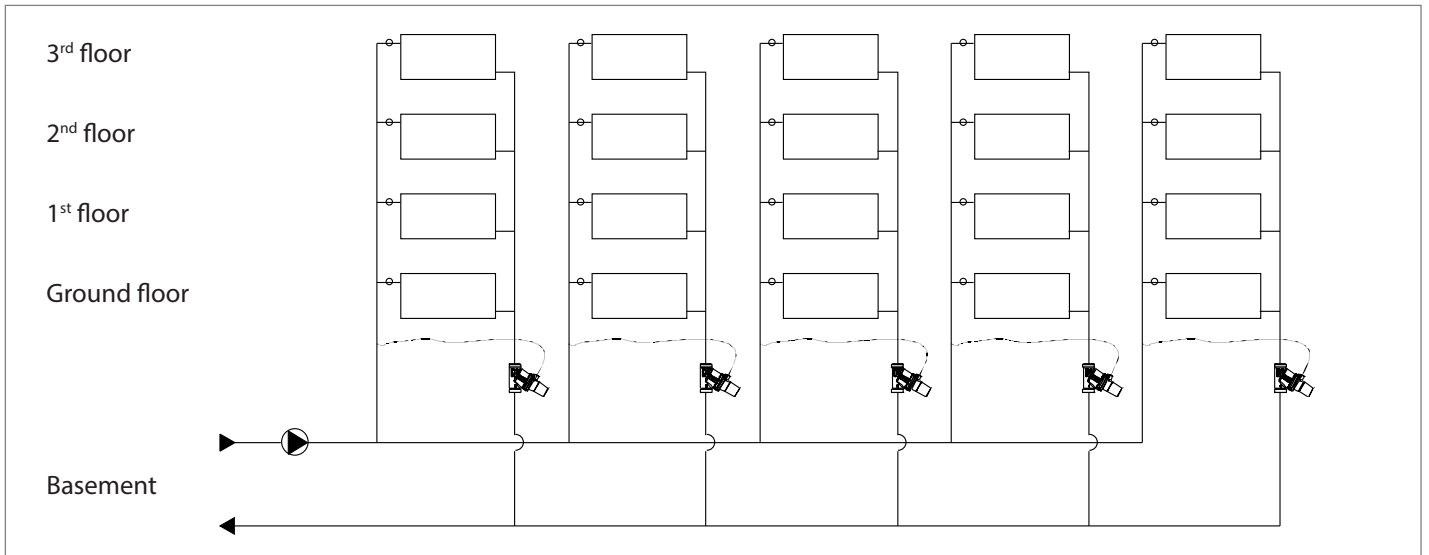
Material: EPP, Max temperature 120°C

Dim.	
DN10-15-20	38-0857
DN25	38-0858
DN25L-32	38-0860



Frese PV Compact DN15-DN50 - adjustable differential pressure control valve

Example: Outline of the heating system. 5 blocks with 4 flats in each.

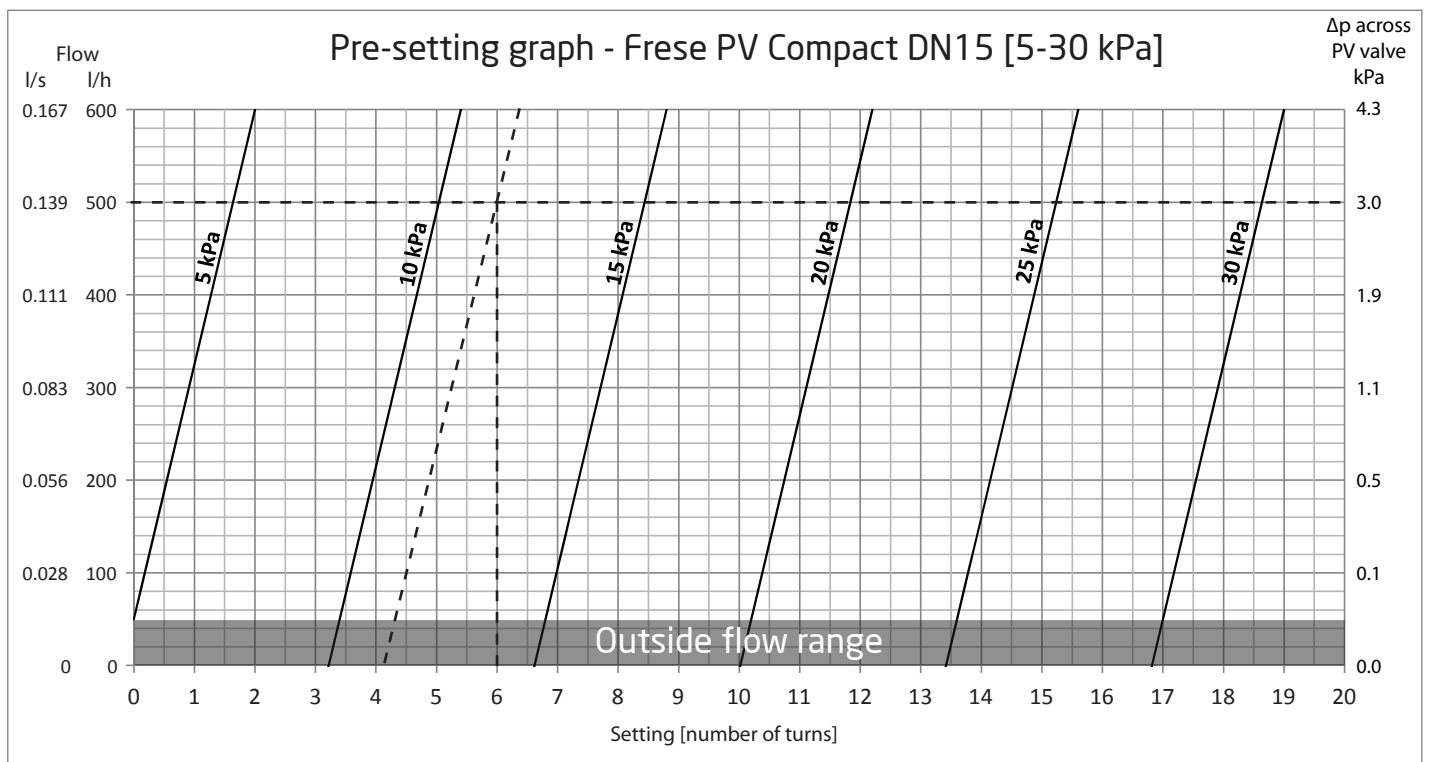


In this case the purpose of Frese PV Compact is to maintain pressure of approx. 12 kPa across the supply and the return line. Specifying the characteristics of the building, the calorific requirement was rated at 125 l/h per flat.

As already mentioned a differential pressure of 12 kPa should be maintained at a flow of $4 \times 125 = 500$ l/h.

The adjustment setting of the Frese PV Compact valve is specified on the basis of the graph. In order to make reading easier the graphs indicating the pressure in the circuit are arranged at intervals of 5 kPa. Still, the graphs can be offset according to the specified pressure of 12 kPa in our circuit.

In the given example we want to maintain 12 kPa in the circuit at a flow rate of 500 l/h. From the intersection of the 12 kPa graph and the horizontal line indicating 500 l/h a line perpendicular to the x-axis is made to read the pre-set value. Now you will see that the valve is to be pre-set by app. 6 turns on the scale. The minimum differential pressure required will be 3.0 kPa across the valve.



Frese PV Compact DN15-DN50 - adjustable differential pressure control valve

Example

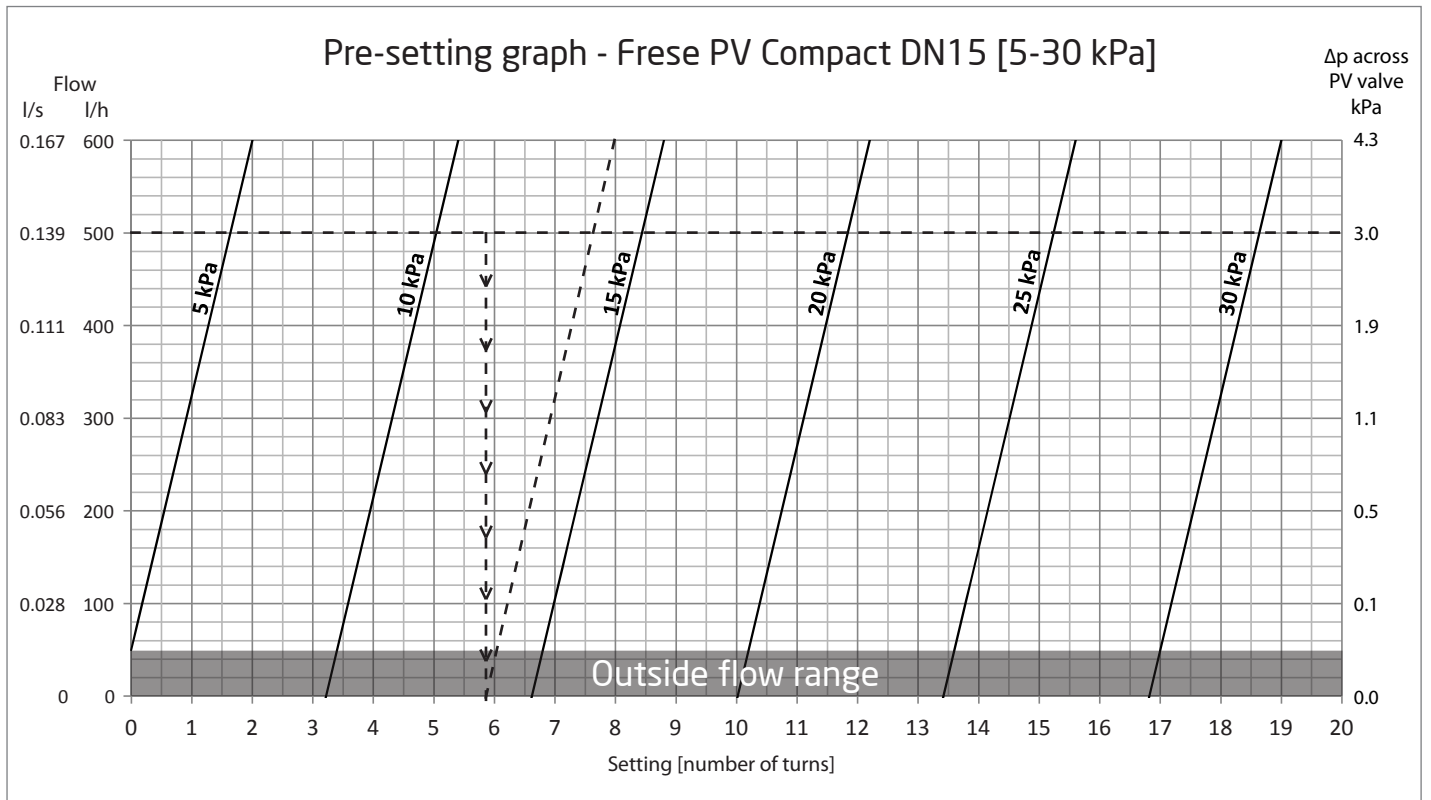
Please note:

As the flow is reduced in the circuit in question the pressure increases in reverse ratio to the flow, which is due to the P-band of the adjustment spring.

The valve compensates for this, however the pressure will at no point in the circuit be as high as the pump pressure that would have been available, if Frese PV Compact had not been installed.

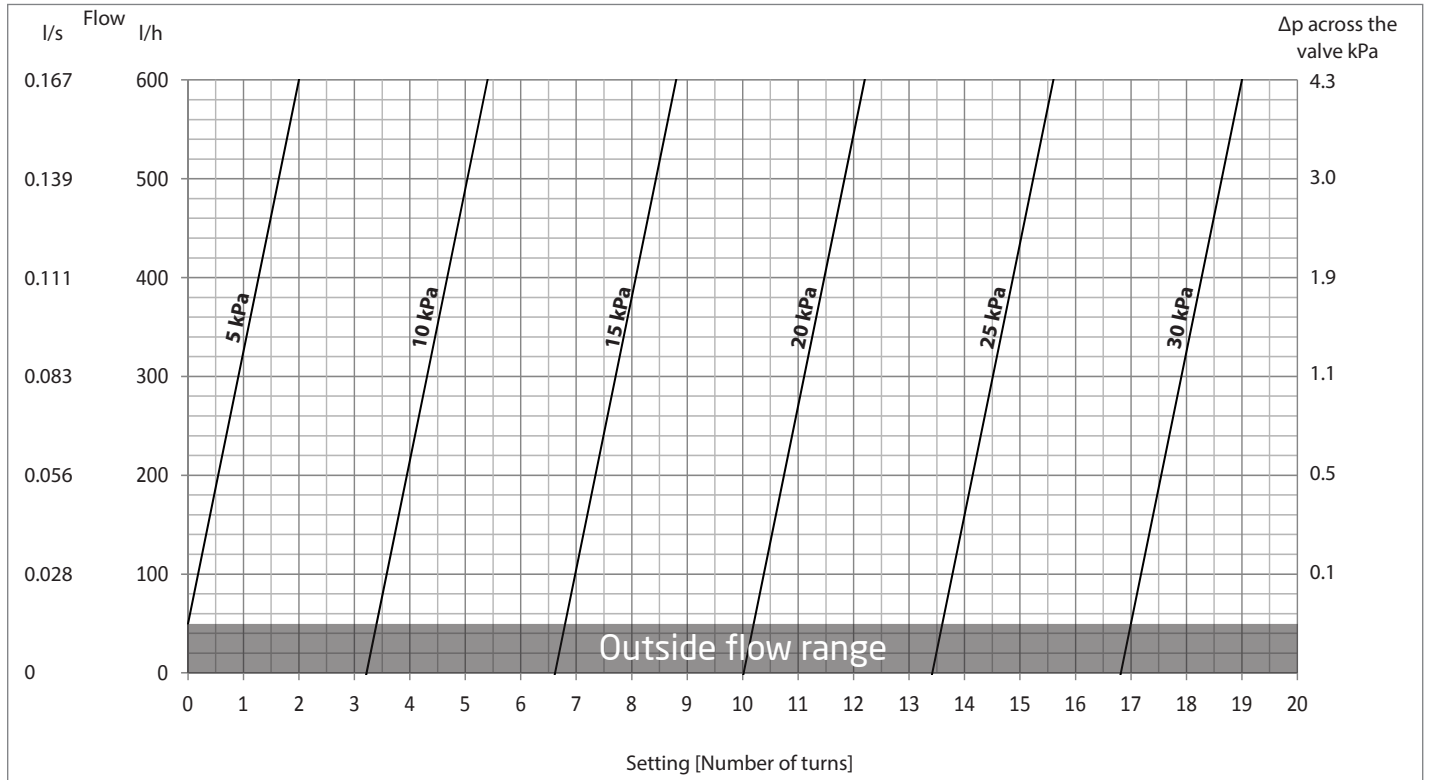
In this example the pressure increases to approx. 14 kPa as the graph is offset parallel to the course of flow. Furthermore, you can always read from the graph what the pressure in the circuit will be at any flow rate below the rated 500 l/h.

The grey area in the bottom of the graph indicates flow outside the range.

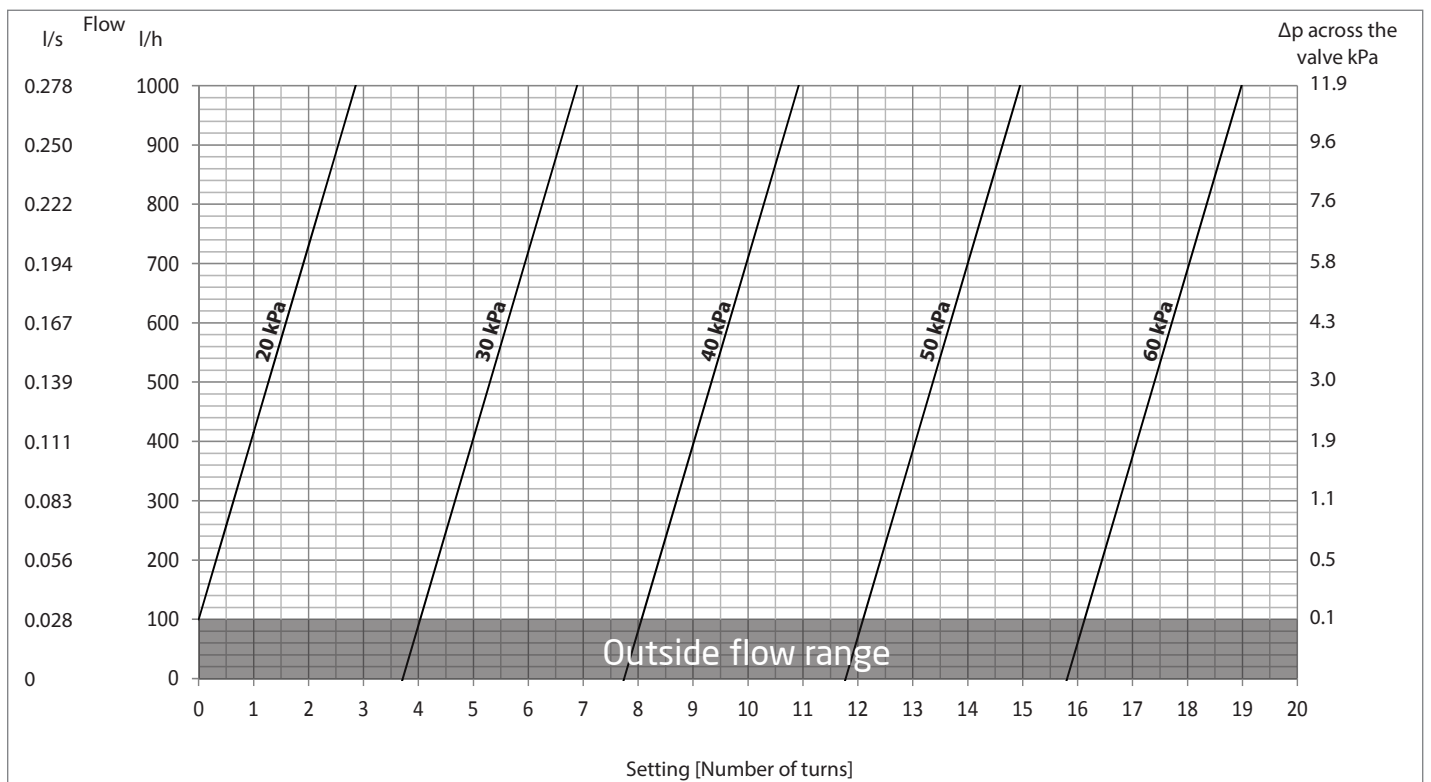


Frese PV Compact DN15-DN50 - adjustable differential pressure control valve

Frese PV Compact DN15, 5-30 kPa

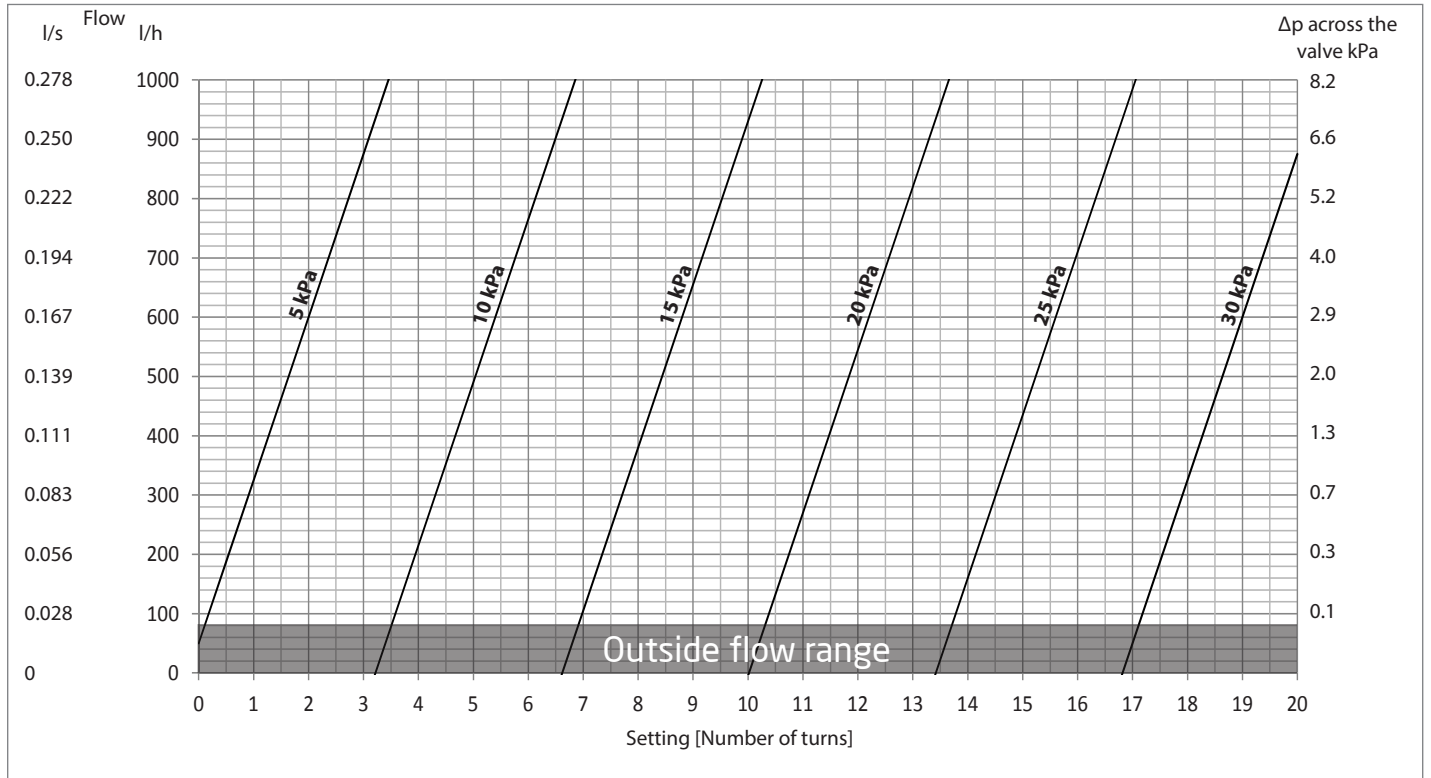


Frese PV Compact DN15, 20-60 kPa

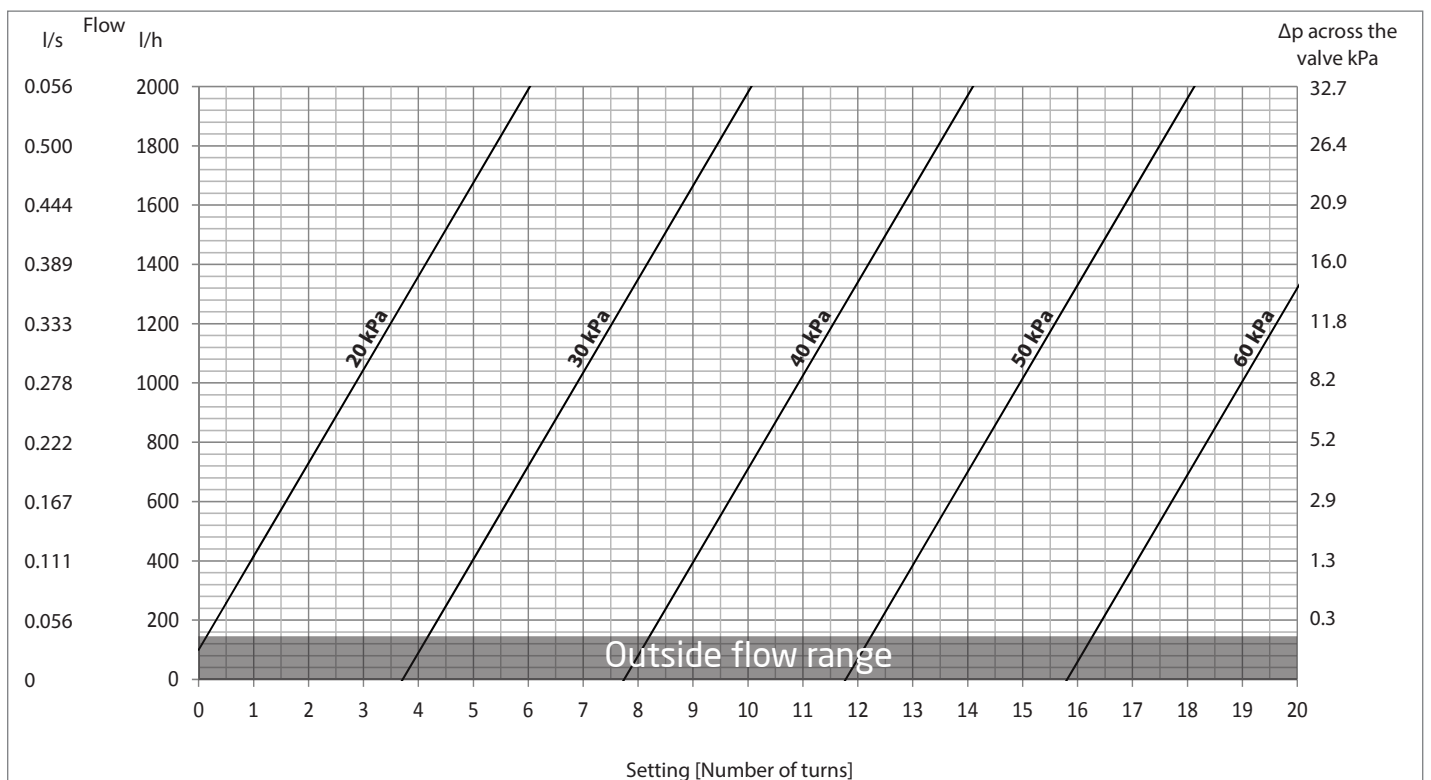


Frese PV Compact DN15-DN50 - adjustable differential pressure control valve

Frese PV Compact DN20, 5-30 kPa

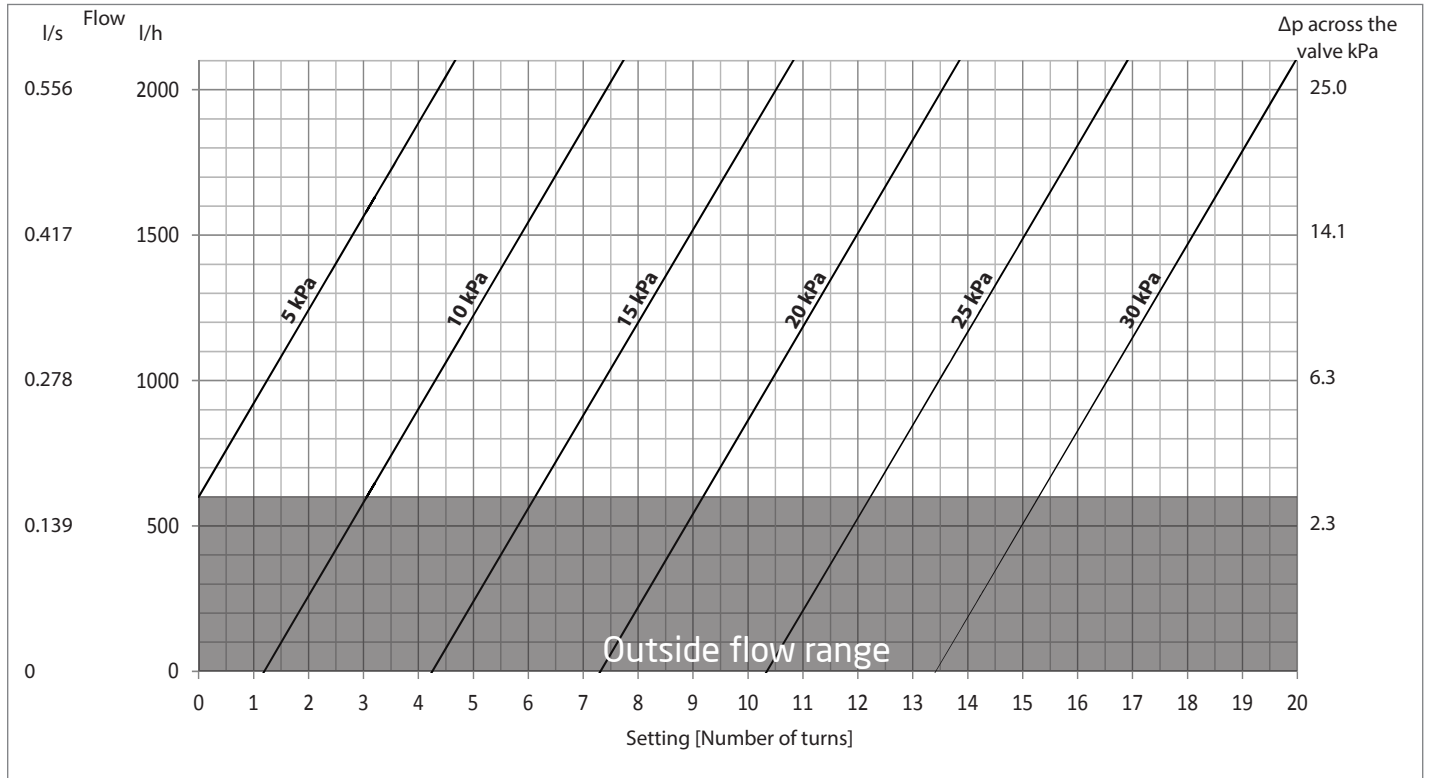


Frese PV Compact DN20, 20-60 kPa

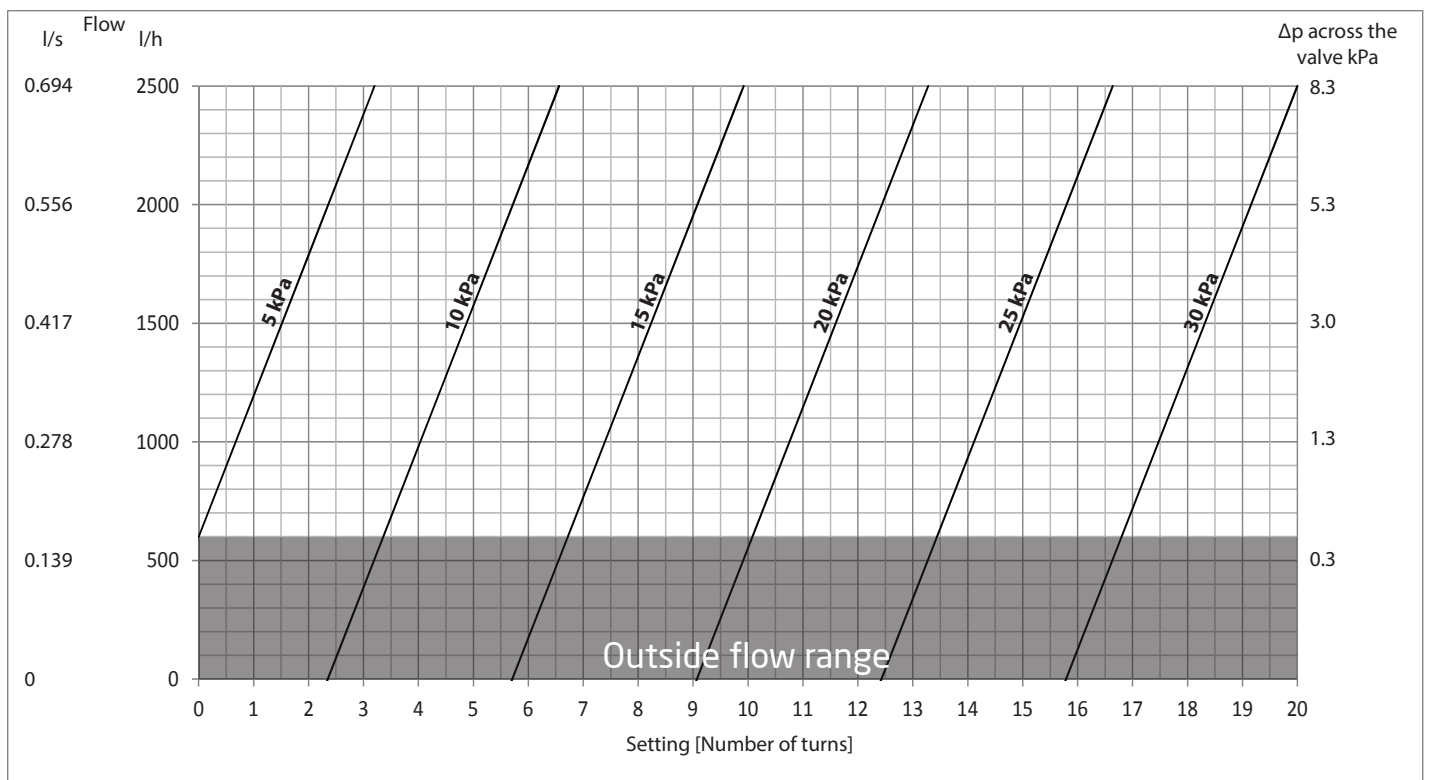


Frese PV Compact DN15-DN50 - adjustable differential pressure control valve

Frese PV Compact DN25, 5-30 kPa

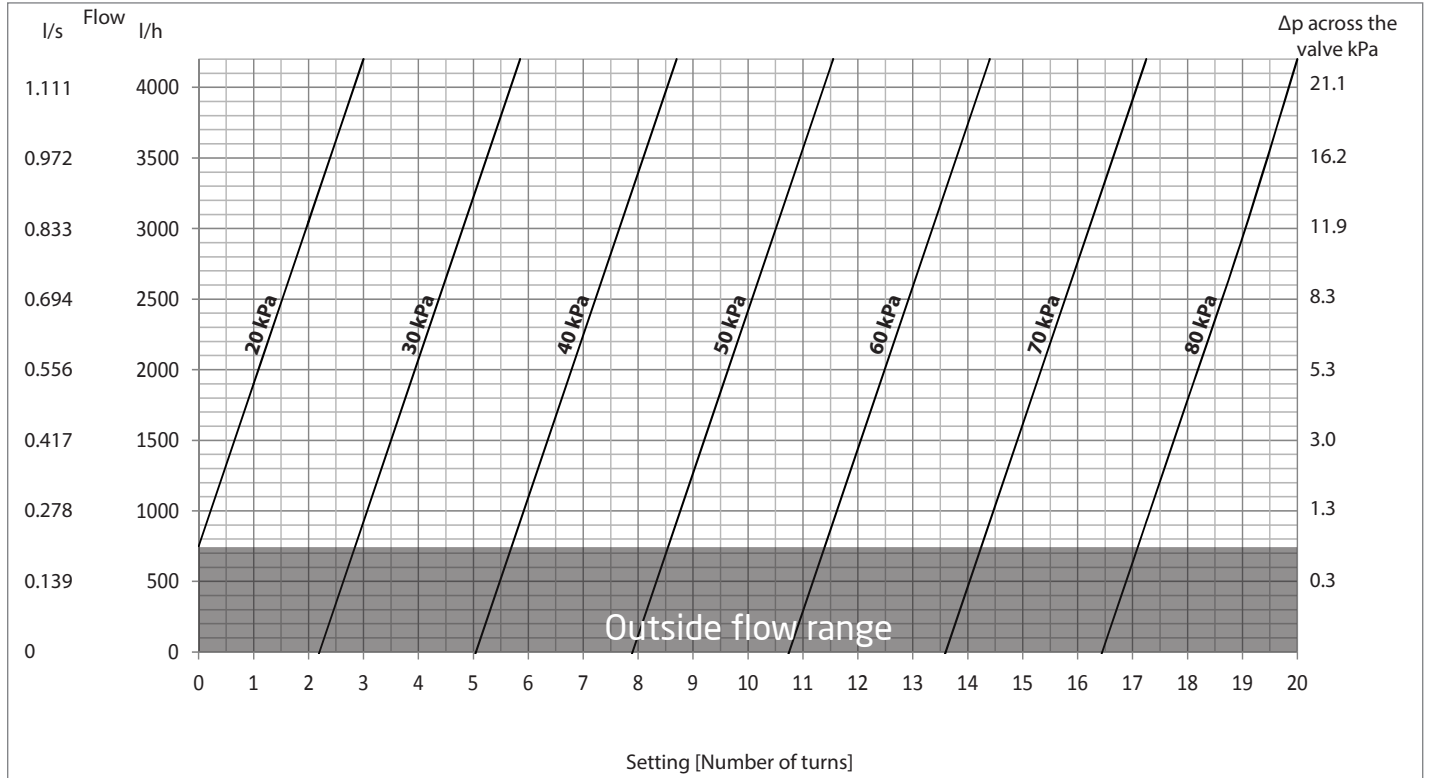


Frese PV Compact DN25L, 5-30 kPa

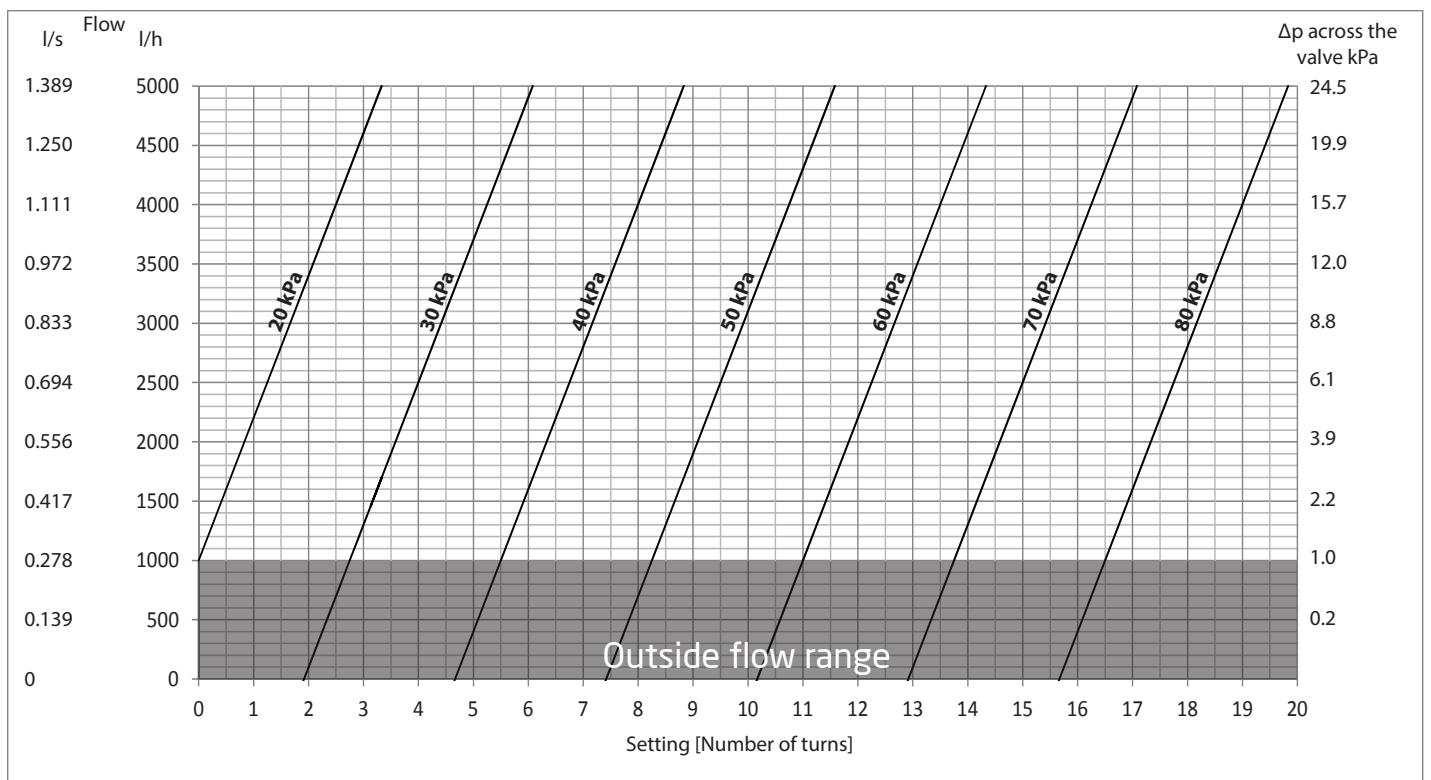


Frese PV Compact DN15-DN50 - adjustable differential pressure control valve

Frese PV Compact DN25L, 20-80 kPa

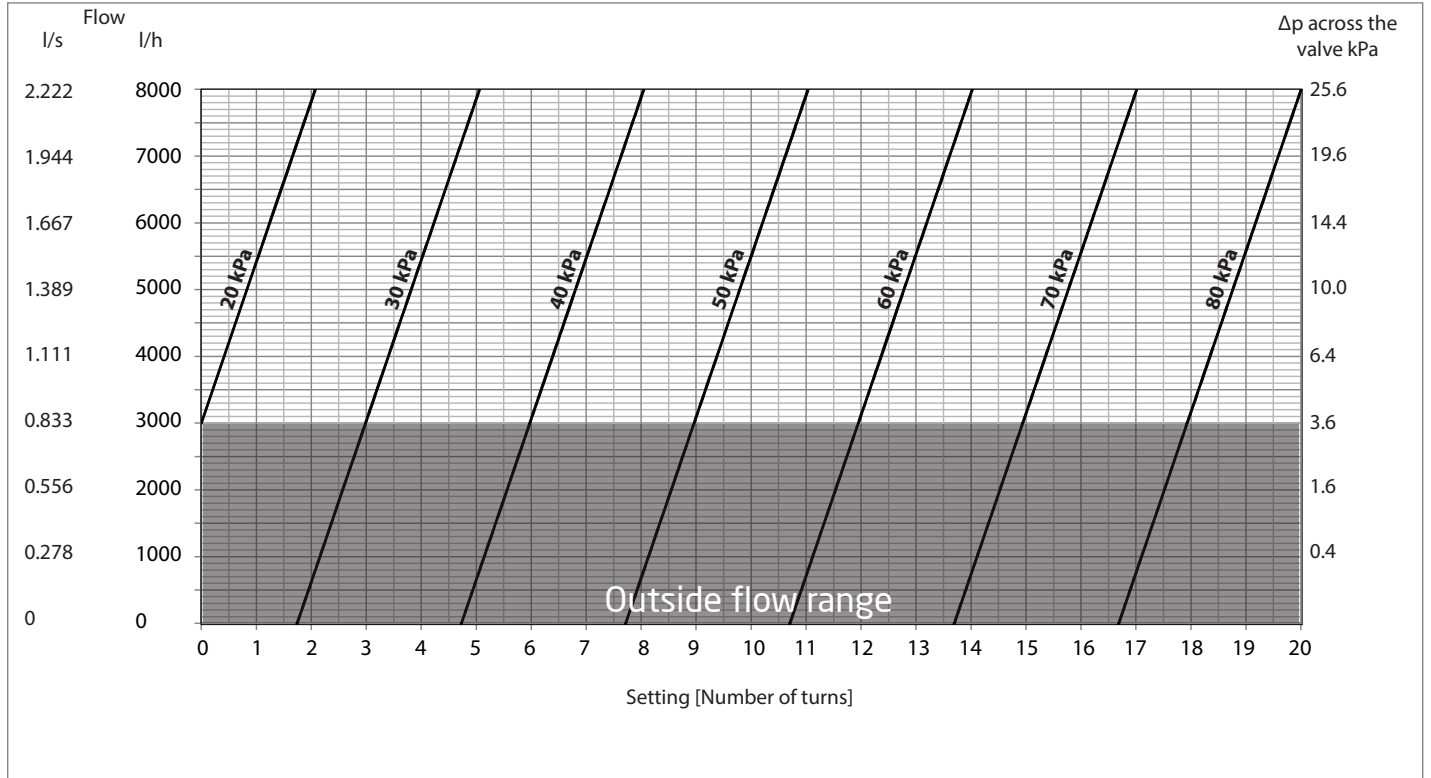


Frese PV Compact DN32, 20-80 kPa

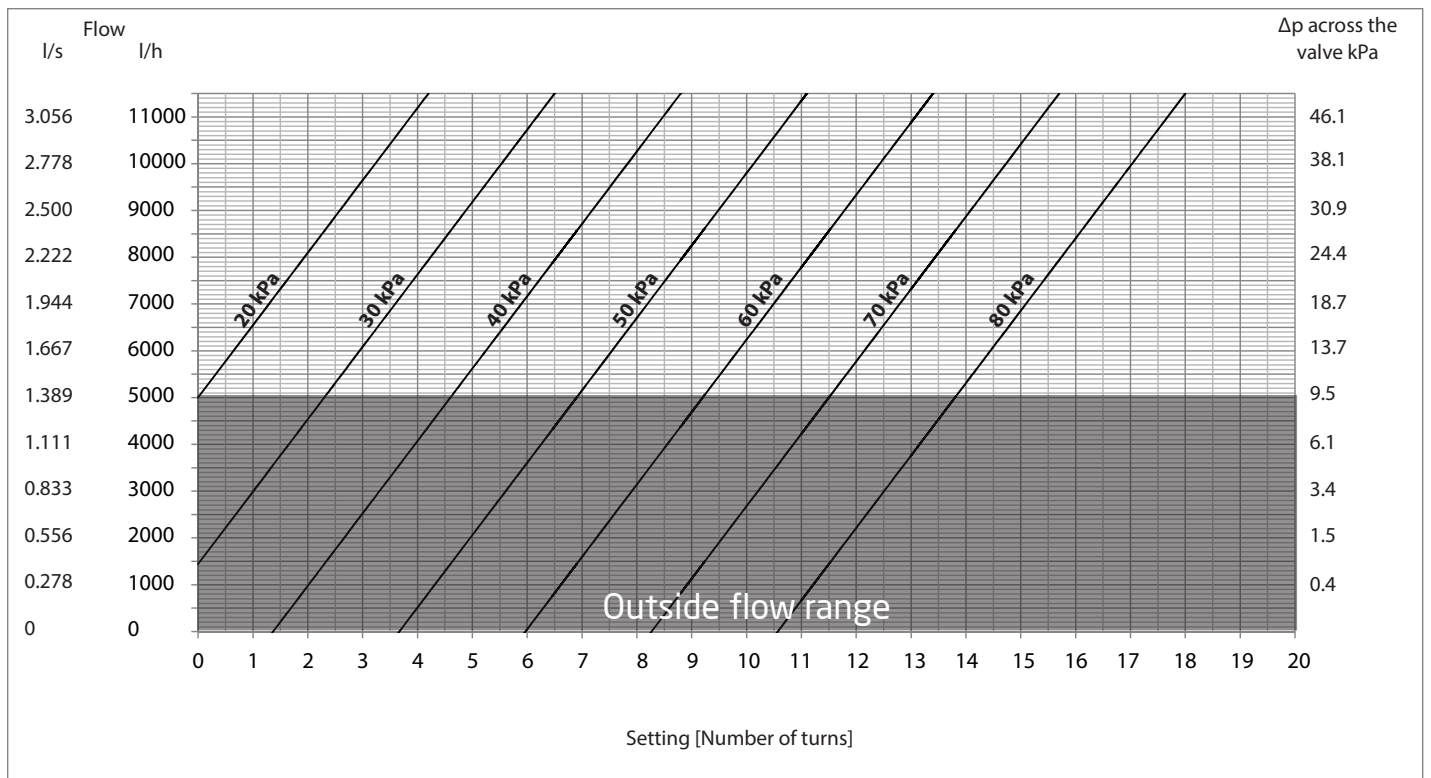


Frese PV Compact DN15-DN50 - adjustable differential pressure control valve

Frese PV Compact DN40, 20-80 kPa



Frese PV Compact DN50, 20-80 kPa



Frese PV Compact DN15-DN50 - adjustable differential pressure control valve

Text for technical specifications

The valve should be a dynamic differential pressure control valve with the option of setting the differential pressure on site without suspension of operation.

The valve should limit the differential pressure in a circuit.

The valve scale should only be adjustable by means of a hexagonal key.

The valve should be permanently marked with an indicator for flow direction.

The valve should be pressure rated PN25.

The valve shall operate with a differential pressure up to 450 kPa.

The valve shall have a control range of 5-30 kPa, 20-60 kPa or 20-80 kPa.

The valve shall have a rubber seat to provide positive close off.

Frese A/S assumes no responsibility for errors, if any, in catalogues, brochures, and other printed matter. Frese A/S reserves the right to modify its products without prior notice, including already ordered products, if this does not alter existing specifications. All registered trademarks in this material are the property of Frese A/S. All rights reserved.

Frese A/S
Sorøvej 8
DK- 4200 Slagelse
Tel: +45 58 56 00 00
info@frese.dk